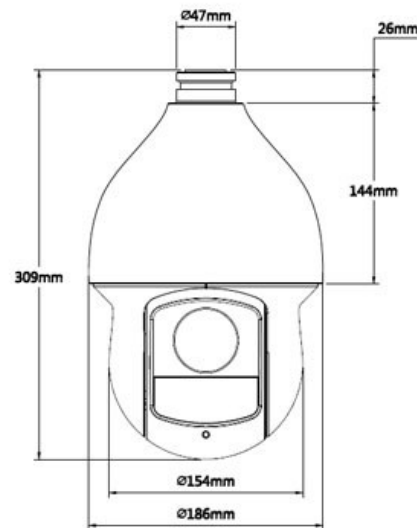


CP- UNP-3040L10

4MP 30x WDR IP IR PTZ Dome Camera - 100 Mtr.



Main Features

- 1/3" CMOS Image sensor
- Max. 25/30fps@4MP, 50/60fps@1080P Resolution
- Powerful 30x Optical and 16x Digital zoom
- H.265 and H.264 Encoding, Triple Stream
- WDR, Day/Night (ICR), Ultra DNR, Auto iris, Auto focus
- Up to 300 Presets, 8 Tour, 5 Pattern, 5 Auto scan
- Max 400°/s pan speed, 360° endless pan rotation
- Built-in 2/1 alarm in/out, IP66, PoE Plus , Micro SD, 100 Mtr. IR
- Mobile Software: iCMOB, gCMOB, wCMOB
- CMS Software: KVMS Pro, vOptimus Pro



*Product casing and specifications are subject to change without prior notice

CP- UNP-3040L10

4MP 30x WDR IP IR PTZ Dome Camera - 100 Mtr.



Feature

Image Sensor
 Effective Pixels
 Video Output
 S/N Ratio
 Minimum Illumination
 Focal Length
 White Balance
 Focus Control
 Close Focus Distance
 Angle of View
 Electronic Shutter
 AGC control
 Back Light Compensation
 Optical Zoom
 Digital Zoom
 Pan Travel
 Tilt Travel
 Presets
 Preset Speed
 Special Features
 Privacy Masking
 Power up Action
 Idle Motion
 Time Task
 Day/Night: IR Cut Filter
 Video Compression
 Video Streaming
 Audio Compression
 Audio Streaming
 Networking

Specification

1/3" CMOS
 2688(H) x 1520(V) 4Mp
 BNC(1.0Vp-p/75Ω), PAL / NTSC
 More than 55dB
 Color: 0.05Lux@F1.6; B/W: 0.005Lux@F1.6
 4.5mm ~ 135.0mm
 Auto, ATW, Indoor, Outdoor, Manual
 Auto / Manual
 100mm ~ 1500mm
 H: 60° ~ 2.2°
 1/3 ~ 1/30,000s
 Auto / Manual
 BLC / HLC / WDR
 30x
 16x
 0° ~ 360° endless, Pan Speed: 0.1° ~ 300°/sec
 -15° ~ 90°, auto flip 180°, Tilt Speed: 0.1° ~ 200°/sec
 300
 Pan: 400° /s; Tilt: 300° /s
 IR Range of 100 Mtr., Up to 300 Presets, 8 Tour, 5 Pattern, 5 Auto scan
 Up to 24 areas
 Auto restore to previous PTZ and lens status after power failure
 Activate Preset/ Pan/ Scan/ Tour/ Pattern if there is no command in the specified period
 Auto activation of Preset/Pan/Scan/Tour/Pattern by preset-time
 Auto (ICR) / Color / B/W
 H.265 / H.264 / MJPEG
 Main Stream: 4M/3M(1~25/30fps)/1080P(1~50/60fps)/1.3M/720P(1~25/30fps), Sub Stream1: D1/CIF(1 ~ 25/30fps), Sub Stream 2: 1080P /960P/720P(1 ~ 25/30fps)
 G.711a / G.711Mu(32kbps)/ PCM(128kbps)
 1/1 channel In/Out
 RJ-45 (10/100Base-T)



*Product casing and specifications are subject to change without prior notice

CP- UNP-3040L10

4MP 30x WDR IP IR PTZ Dome Camera - 100 Mtr.



Feature

IVS
Tracking Trigger Mode
Protocols
Tracking Trigger Event
Alarm
Max Remote Users
Operating Temperature
Smart Phone
Memory Slot
Weather Proof Standard
Dimension
Weight
Power Source
Power Consumption
Regulatory

Specification

Tripwire, Intrusion, Abandoned Object Detection, Missing Object Detection, Face Detection
Manual / Auto (alarm triggered)
IPv4/ IPv6, HTTP, HTTPS, SSL, TCP/IP, UDP, UPnP, ICMP, IGMP, SNMP, RTSP, RTP, SMTP, NTP, DHCP, DNS, PPPOE, DDNS, FTP, IP Filter, QoS, Bonjour, 802.1x, ONVIF PSIA CGI
Targeting, Zoom, Tracking, Recording, Snapshot, Alarm and etc.
2/1 channel In/Out
20 users
PoE: -30°C ~ 60°C / Less than 90% RH, AC24V: -40°C ~ 70°C / Less than 90% RH
iPhone, iPad, Android, Windows Phone
Micro SD, Max 128GB
IP66
Φ186mm × 309mm
3.5 kg
AC24V, POE plus(802.3at)
PoE: 13W, 20W (IR on), AC24V: 13W, 23W (IR on)
CE, FCC, RoHS & UL